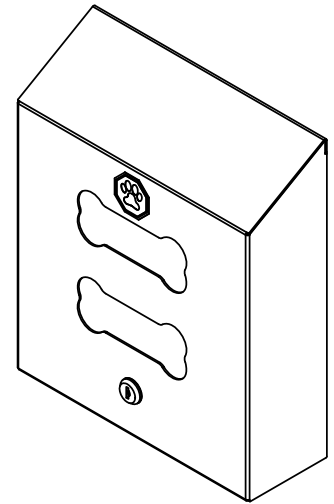
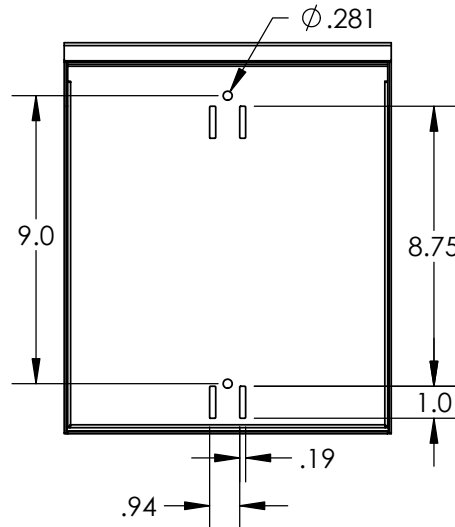
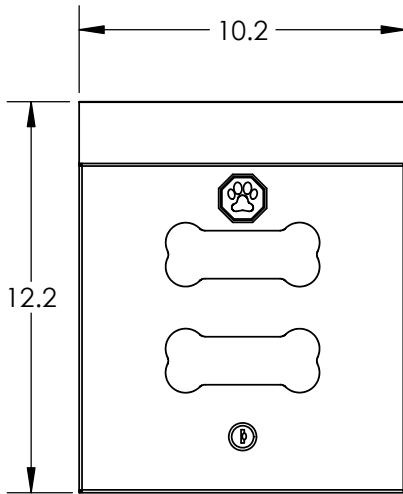


MAX. BOX SIZE
(BY OTHERS)



SPECIFICATIONS:

BODY & COVER: 16 GA GALVANNEAL STEEL CONSTRUCTION, PREPARED IN 5 STAGE PRETREATMENT AND ELECTROSTATICALLY POWDER COATED WITH TGIC POLYESTER POWDER COATING 2-3 MIL THICKNESS. FEATURES TWO DOG BONE- SHAPED OPENINGS ON COVER FOR BAG DISPENSING.

- TWO BOX COMPARTMENTS. FITS MOST PET WASTE BAGS (BY OTHERS), MAX. BOX SIZE, 9.75" X 3.13" X 3.13".

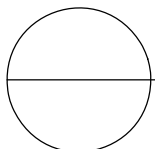
LOCK: WEATER RESISTANT, KEYED ALIKE, PROVIDES SECURITY FROM UNWANTED ENTRY.

DECAL: HIGHLY REFLECTIVE DECAL OF PAW PRINT APPLIED ON FRONT FACE HELPS LOCATE AND IDENTIFY NEAREST DISPENSER AT NIGHT.

HARDWARE: INSTALLATION HARDWARE PROVIDED (1/4-20 BOLTS, WASHERS, NUTS) FOR TYPICAL POST MOUNTING APPLICATIONS. UNIT IS ALSO PROVIDED WITH TWO SETS OF VERTICAL SLOTS FOR ALTERNATE, ROUND POLE MOUNTING (MOUNTING STRAPS ARE NOT PROVIDED - BY OTHERS).

NOTES:

1. DO NOT SCALE DRAWINGS.
2. INSTALLATION TO BE COMPLETED IN ACCORDANCE WITH MANUFACTURER'S SPECIFICATIONS.
3. THIS DRAWING IS INTENDED FOR USE BY ARCHITECTS, ENGINEERS, CONTRACTORS, CONSULTANTS, AND DESIGN PROFESSIONALS FOR PLANNING PURPOSES ONLY. THIS DRAWING MAY NOT BE USED FOR CONSTRUCTION.
4. ALL INFORMATION CONTAINED HEREIN AS CURRENT AT THE TIME OF DEVELOPMENT BUT MUST BE REVIEWED AND APPROVED BY THE PRODUCT MANUFACTURER TO BE CONSIDERED ACCURATE.
5. CONTRACTOR'S NOTE: FOR PRODUCT AND COMPANY INFORMATION VISIT www.CADdetails.com/info AND ENTER REFERENCECE NUMBER



PET WASTE BAG DISPENSER COLLECTION

PET WASTE BAG DISPENSER (PWBD-2 HGR)