



EX-CELL KAISER

Decorative Receptacles for Waste and Recycling

790 SERIES GARMENT RACKS

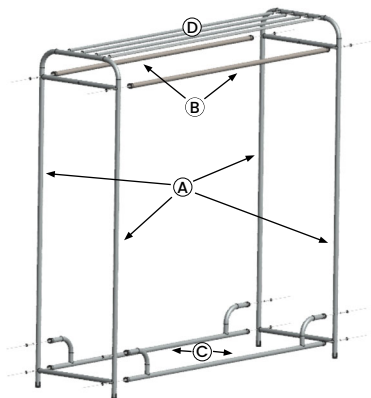
The 790 coat rack kit will allow you to assemble the unit in 2 different configurations:

- With one (1) bar for hanging coats; mounted in the center of the top bar of the unit. If you select this configuration you will have an extra Coat bar to discard.
- With two (2) bars for hanging coats; one bar mounted on each side of the outside leg of the upright.

Assembly Instructions:

- 1) Lay the upright on its side on the floor and screw item "B" through one side of the upright (either one or two places, depending on the configuration desired).
- 2) Loosely attach the other end of "B" to the second upright.
- 3) Insert the hat bars into the 4 poles along the top of each upright and tighten the screw mounting to the upright "B".
- 4) Mount the Lower support bars as shown to each side of the upright assembly.
- 5) **OPTIONAL:** If this is a unit with casters, the casters should be inserted into the tube ends now. Casters with brakes should be inserted at opposite corners of the unit.
- 6) Stand the unit upright.

To install the optional boot rack, place the boot rack over the bottom support bars and lower brace on the uprights.



Parts List:

- A. Upright Assemble (2)
- B. Double Support/Coat Bar (2)
- C. Lower Support (2)
- D. Hat Bar (4)
- E. Stem Casters (4) (OPTIONAL)
- F. Boot Rack (1) (OPTIONAL)
- G. 1/4 - 20 x 2 1/8" Screw (12)



Single Bar Configuration

