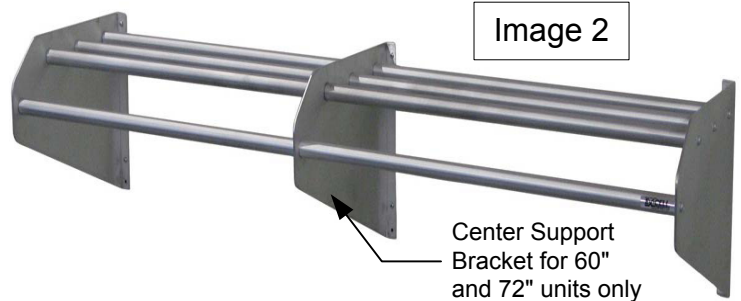
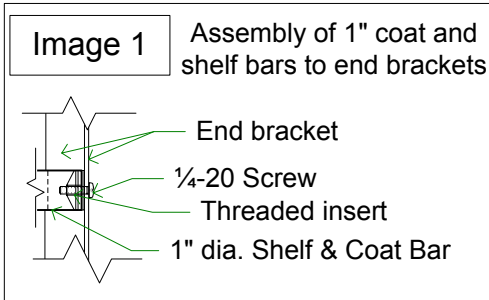


MODEL NUMBERS
707-24A: 24" Wide Unit
707-36A: 36" Wide Unit
707-48A: 48" Wide Unit
707-60A: 60" Wide Unit w/Center Support Wall Bracket
707-72A: 72" Wide Unit w/Center Support Wall Bracket

MODEL NUMBERS
707-24A: 24" Wide Unit with 8 Coat Hooks
707-36A: 36" Wide Unit with 12 Coat Hooks
707-48A: 48" Wide Unit with 16 Coat Hooks
707-60A: 60" Wide Unit w/Center Support Wall Bracket and 20 Coat Hooks
707-72A: 72" Wide Unit w/Center Support Wall Bracket and 24 Coat Hooks



Assembly Mounting Instructions:

Note: please make sure that the return bend used to mount to walls surface face inward as shown.

- 1) Pre assemble the left and right wall brackets with 4/each 1" Diameter Horizontal tubes using supplied 8/each 1/4-20 x 1 pan head Philips screws; see **Image 1**. Note: for 60" and 72" Wide units pre-slide Center Support Bracket in place as shown; see **Image 2**
- 2) Mount assembled unit to wall with 8/each #10 x 1/2" screws and plastic anchors; see **Image 3**. 12/each for the 60" and 72" units. Use level for best results.
- 3) If you have ordered a unit with the additional Coat Hook Bar, install the unit to the wall leaving out the screw in the lower hole on each wall bracket, place the Coat Hook Bar in front of and against each wall bracket over the lower hole and install the screw through Coat Hook Bar, the Wall Bracket and into the wall; see **Image 4**.

