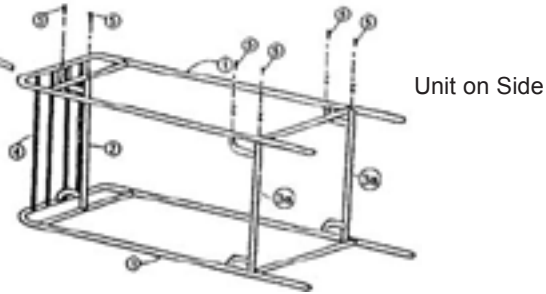


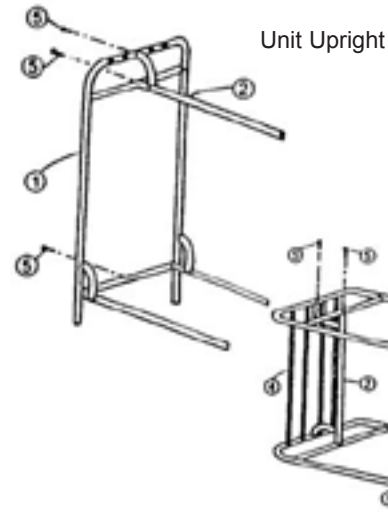
Item	Description	Single Qty.	Double Qty.
1	Upright Assemble	2	2
2	Top Center Support Assembly	1	1
3a	Lower Support	2	2
3b	Upper Support/Coat Bar	0	2
4	Hat Bar	4	4
5	1/4-20 x 2-1/8" Phillips Hd Machine Screws	12	16
6	Stern Casters (Optional)	4	4
7	Caster Inserts (Optional)	4	4
8	Boot Rack (Optional)	1	1



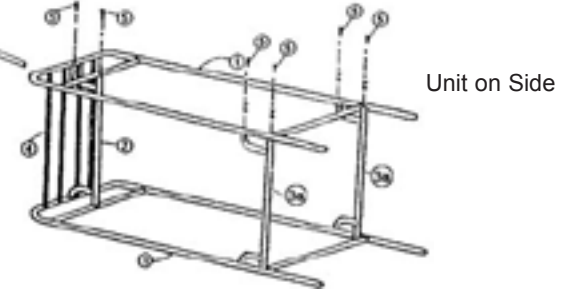
NOTE: If you ordered the Caster Option, before you begin assembling the unit, install the Caster Inserts into the four tube ends on the Upright Assembly. Remove the four Black Plastic Feet, insert gray plastic ⑦ Caster Insert into tube end rap sharply with hammer to drive into tube end.

Assembly

1. Screw ② Top Center Support Assembly to one of the ① Upright Assemblies. If you have a double wide unit, you should screw the two ③b Coat Bars to the ① Upright Assembly on either side of the ② Top Center Support Assembly at this time, also.
2. Then, screw ③a Lower Support to the ① Upright Assembly at the bottom center of the ① Upright Assembly.
3. Lay the entire assembly flat on the floor, with the ③a Lower Support and ② Top Center Support Assembly standing straight up in the air. Insert the four 5/8" dia. ④ Hat Bar Tubes into the holes at the end of the upright.
4. Add the other ① Upright Assembly on top of the tubes and screw the ③a Lower support, and ② Top Center Support securely at three places shown. If you have a double wide unit, screw together at four places. Tighten securely.
5. If you have a unit with casters, insert the ⑥ Casters into the gray ⑦ Caster insert in the tube ends of the ① Upright Assembly at this time. NOTE: Install brake casters at opposite corners of the unit.
6. Stand the unit upright. To install optional ⑧ Boot Rack place the ⑧ Boot Rack over the two bottom cross tubes on the ① Upright Assembly, and the two lower support bars and push down.



Item	Description	Single Qty.	Double Qty.
1	Upright Assemble	2	2
2	Top Center Support Assembly	1	1
3a	Lower Support	2	2
3b	Upper Support/Coat Bar	0	2
4	Hat Bar	4	4
5	1/4-20 x 2-1/8" Phillips Hd Machine Screws	12	16
6	Stern Casters (Optional)	4	4
7	Caster Inserts (Optional)	4	4
8	Boot Rack (Optional)	1	1



NOTE: If you ordered the Caster Option, before you begin assembling the unit, install the Caster Inserts into the four tube ends on the Upright Assembly. Remove the four Black Plastic Feet, insert gray plastic ⑦ Caster Insert into tube end rap sharply with hammer to drive into tube end.

Assembly

1. Screw ② Top Center Support Assembly to one of the ① Upright Assemblies. If you have a double wide unit, you should screw the two ③b Coat Bars to the ① Upright Assembly on either side of the ② Top Center Support Assembly at this time, also.
2. Then, screw ③a Lower Support to the ① Upright Assembly at the bottom center of the ① Upright Assembly.
3. Lay the entire assembly flat on the floor, with the ③a Lower Support and ② Top Center Support Assembly standing straight up in the air. Insert the four 5/8" dia. ④ Hat Bar Tubes into the holes at the end of the upright.
4. Add the other ① Upright Assembly on top of the tubes and screw the ③a Lower support, and ② Top Center Support securely at three places shown. If you have a double wide unit, screw together at four places. Tighten securely.
5. If you have a unit with casters, insert the ⑥ Casters into the gray ⑦ Caster insert in the tube ends of the ① Upright Assembly at this time. NOTE: Install brake casters at opposite corners of the unit.
6. Stand the unit upright. To install optional ⑧ Boot Rack place the ⑧ Boot Rack over the two bottom cross tubes on the ① Upright Assembly, and the two lower support bars and push down.