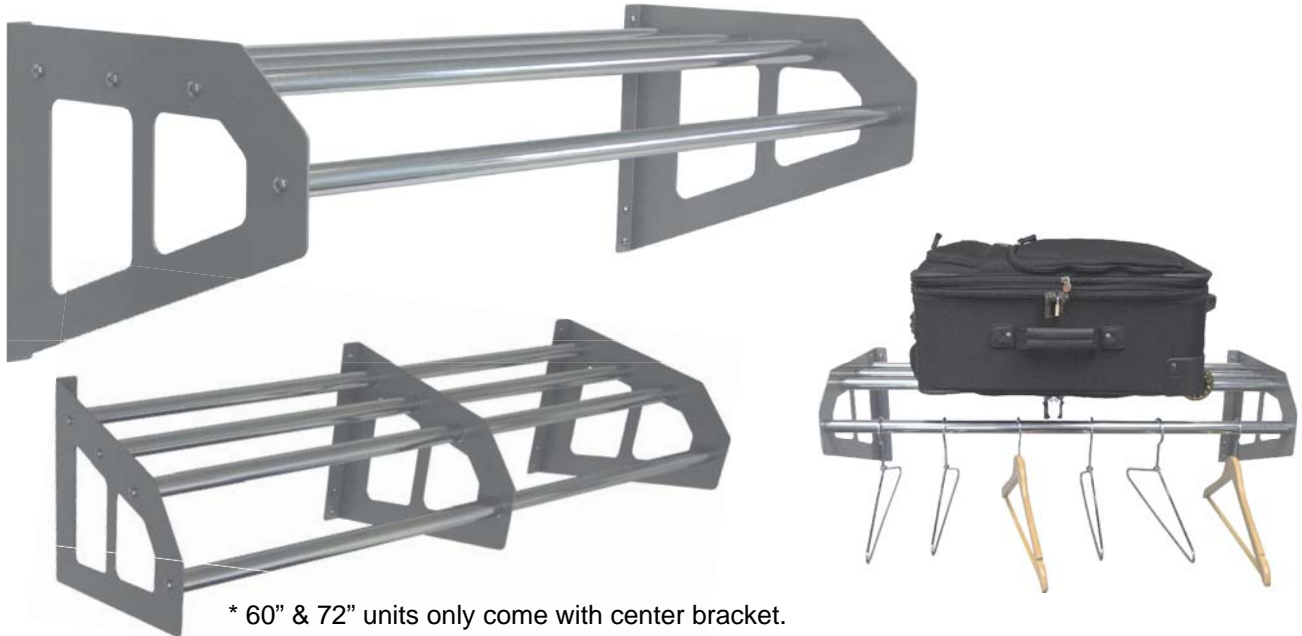


## 707-SERIES WALL MOUNTED COAT & HAT RACKS



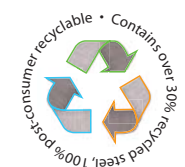
\* 60" & 72" units only come with center bracket.  
\* Hangers sold separately. Models 55-002 A & 55-002 B shown.

### 707

**Professional strength coat and hat racks are wall mounted to save floor space and attractive enough to be used outside the closet walls!**

- Sturdy 18-gauge, 1" tubular, plated steel construction with a top shelf allows for air flow to help prevent the formation of mites or molds frequently found in enclosed areas.
- All racks extend 15" from the wall and the steel brackets are 11-3/4" tall at their highest point against the wall.
- Uniquely designed brackets taper as they extend forward with smooth, round edges.
- The steel mounting brackets are powder coated standard in Silver Sparkle.
- Custom colors available upon request.

Perfect for: Foodservice (Restaurants, Banquet Halls, Cafeterias)  
Hospitality (Guest Rooms, Meeting Rooms, Convention Halls)  
Long-term Healthcare Facilities  
MRO  
Much More



Model #	Product Dimensions			Carton Pack	Carton L	Carton Size		Cube Ft.	Ship Wt.
	W	D	H			W	H		
707-36 SPKL	36"	15"	11.75"	1	37"	13.75"	2.75"	0.81	16 lbs
707-48 SPKL	48"	15"	11.75"	1	49"	13.75"	2.75"	1.08	18 lbs
707-60 SPKL	60"	15"	11.75"	1	61"	13.75"	2.75"	1.34	22 lbs
707-72 SPKL	72"	15"	11.75"	1	73"	13.75"	2.75"	1.60	24 lbs