

# Another Product

by

# EX-CELL

## INSTRUCTION SHEET for Wall Garment and Towel Rack , Model #707 Series

### MODEL NUMBERS

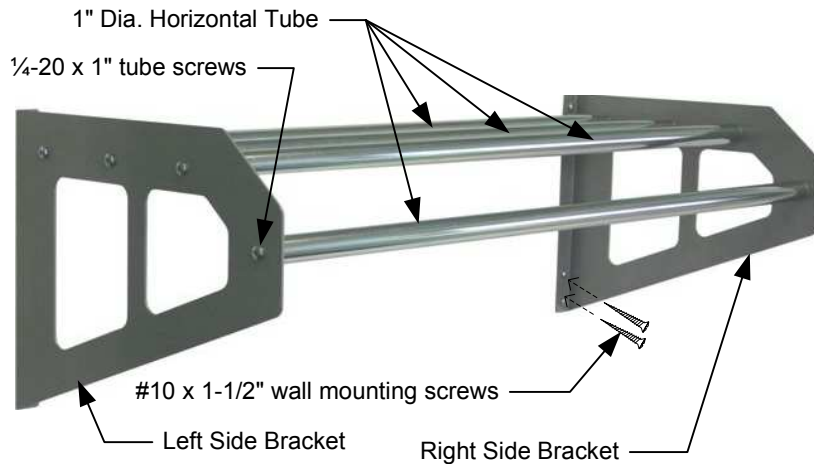
**707-24:** 24" Wide Unit

**707-36:** 36" Wide Unit

**707-48:** 48" Wide Unit

**707-60:** 60" Wide Unit with additional Center Support Wall Bracket

**707-72:** 72" Wide Unit with additional Center Support Wall Bracket

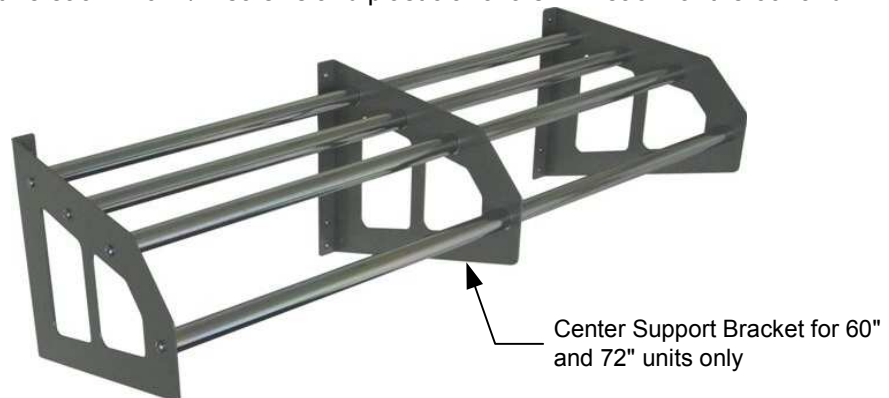


### Assembly and Mounting Instructions:

Note: Please make sure that the lips used to mount to wall surface face inward as shown.

1) Pre assemble the left and right wall brackets with 4/each 1" Diameter Horizontal tubes using supplied 8/each 1/4-20 X 1 pan head Phillips screws. Note: for 60" and 72" Wide units pre-slide Center Support Bracket in place as shown.

2) Mount assembled unit to wall with 8/each #10 x 1/2" screws and plastic anchors. 12/each for the 60" and 72" units. Use level for best results.



CLEANING: Use a soft cloth and non-abrasive cleaner

EX-CELL KAISER LLC USA 1-847-451-0451 [www.ex-cell.com](http://www.ex-cell.com)

ALL RIGHTS TO DESIGN AND OR INVENTION ARE RESERVED BY EX-CELL KAISER LLC

02/2008